

Vasoview Hemopro 2 Endoscopic Vessel Harvesting System

Precision and safety for unsurpassed conduit quality

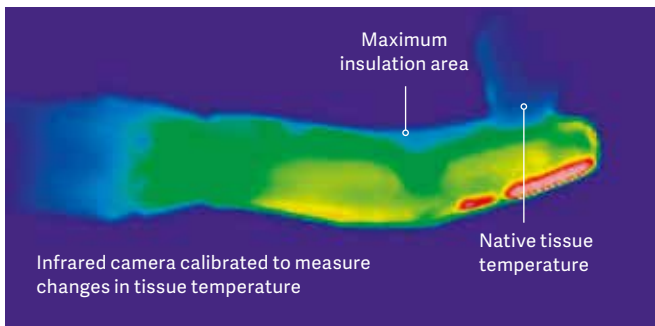
Over 20 years and more than 2 million EVH procedures

For patients undergoing coronary artery bypass, the harvested vessel seems like an afterthought. In reality, conduit quality and incision-related complications can have a dramatic impact on the success of their heart surgery. That's why for more than 20 years, Getinge has worked to refine EVH technology to deliver the efficient, effective results found in Getinge Vasoview Hemopro 2.

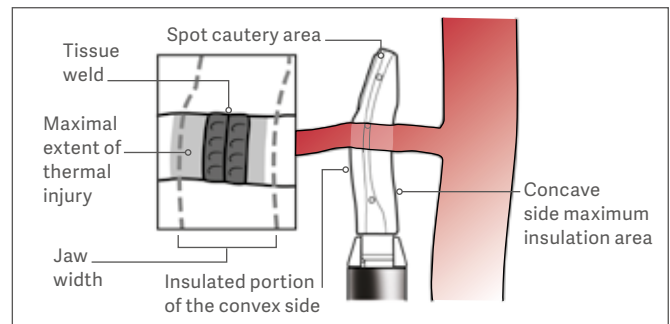
Getinge is built on a foundation of genuine compassion for people's wellbeing and safety through trusted brands, such as Maquet. Our continuing commitment to protecting patients with advanced medical technology helps you proactively avoid complications and prevent common causes of escalating health care costs.

Safely acquire high-quality conduits

Maquet Vasoview Hemopro 2 helps harvesters efficiently and safely acquire high-quality conduits to improve outcomes in cardiac surgery. Used in more than 2 million procedures, it represents the gold standard in vessel harvesting for both the saphenous vein and radial artery. Vasoview Hemopro 2 is inspired by the hands-on experience of clinicians who performed vessel harvest procedures every day. It is the embodiment of the Getinge commitment to highly refined technology and robust design that improves the quality of care.



Thermal imagery demonstrates minimal effect on surrounding tissue.



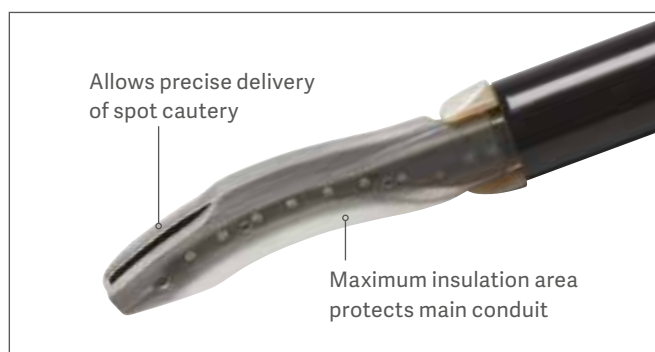
When used as instructed, Vasoview Hemopro 2 ensures hemostasis with virtually no thermal effect on surrounding tissues.¹

Clinical benefits

- Easy-to-learn techniques enable harvesters to position the jaws while protecting the main conduit²
- Advanced system design helps to enhance the efficiency and safety of vessel harvest
- Insulated jaws provide maximum protection against thermal spread³ to preserve conduit quality

Features

- Enhanced cutting capability for easier fasciotomy
- Spot cautery feature for quick response to ensure hemostasis
- Natural grip handle is comfortable to hold
- Easy-activation toggle
- One-fingertip control is simple, smooth, and highly responsive
- Design and ergonomic sophistication
- Delivering superb visualization and exceptional maneuverability



Society recommendations for EVH

2017 ISMICS consensus statement

Endoscopic Vessel Harvesting and Endoscopic Radial Artery Harvesting should be the standard of care for patients who require these conduits for coronary revascularization (Class I, Level B).⁴ (Based on evidence from 76 studies including 281,459 patients.)

2018 ESC/EACTS guidelines

Endoscopic vein harvesting, if performed by experienced surgeons, should be considered to reduce the incidence of wound complications (Class IIa, Level A).⁵

Product ordering information

Description	Code
Vasoview Hemopro 2 Endoscopic Vessel Harvesting System	VH - 4000
Vasoview Hemopro 2 Harvesting Tool Vasoview Hemopro 2 Harvesting Cannula Vasoview Short Port Blunt Tip Trocar (BTT) with Endoscope and Cannula Seal 5 cc Syringe 30 cc Syringe Conical Dissection Tip	
Vasoview Hemopro 2 EVH System with Vasoshield Pressure Controlling Syringe	VH - 4001
Vasoview Hemopro 2 Extension Cable	VH - 4030
Vasoview Hemopro 2 Adapter Cable for use with Hemopro Power Supply	VH - 4020
Vasoview Hemopro Power Supply	VH - 3010
7 mm Extended-length Endoscope	VH - 1111

References

1. Data on file, Maquet Cardiovascular; 2008.
2. When used in accordance with Instructions for Use.
3. Thermal spread is defined as the extent (length) of thermal injury of the vessel extending laterally outward from the edge of the jaws at the location of the interaction between the jaws and the vessel.
4. Ferdinand FD, MacDonald JK, Balkhy HH, et al. Endoscopic Conduit Harvesting in Coronary Artery Bypass Grafting Surgery: An ISMICS Systematic Review and Consensus Conference Statements. *Innovations*. Sep/Oct 2017;12(5):301-319.
5. Neumann FJ, Sousa-Uva M, Agkasson A, et al. 2018 ESC/EACTS Guidelines on Myocardial Revascularization. *Eur Heart J*. 2018; 00:1-96.



Getinge and GETINGE * are registered trademarks of Getinge AB, its subsidiaries, or affiliates in the United States or other countries • Copyright 2020 Maquet Cardiovascular LLC • All rights reserved • ⚠ CAUTION: Federal (US) law restricts this device to sale by or on the order of a physician. Refer to Instructions for Use for current indications, warnings, contraindications, and precautions.

Getinge • 45 Barbour Pond Drive • Wayne, NJ 07470 • USA • 888 627 8383

www.getinge.com

MCV00071865 REV B