

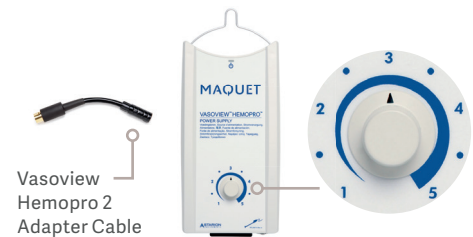
Vasoview Hemopro 2

Features and technique overview

Vasoview Hemopro 2 Endoscopic Vessel Harvesting (EVH) System's innovative design features help improve conduit quality and facilitate easier, more efficient procedures.

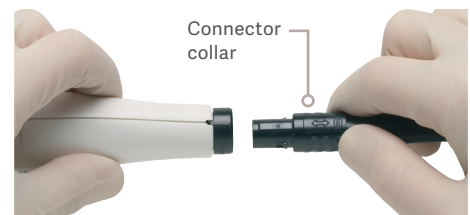
Vasoview Hemopro 2 is compatible with the Hemopro power supply via the adapter cable:

- Adapter cable cannot be sterilized
- Always use setting 3 for intended performance; use of settings other than 3 may result in sub-optimal cutting and sealing



Simplified power attachment makes connecting easier:

- Attach either end of the extension cable to the handle ensuring that arrows are aligned on handle and cord connector collar
- Attach the other end of the extension cable to the adapter cable on the Vasoview Hemopro 2 power supply
- To disconnect, pull connector collar only; do not pull the extension cable



Streamlined closed-jaw profile can be inserted and easily retracted from the cannula:

- Ensure endoscope is within the cannula before inserting the Hemopro 2
- Close the jaws and position tips upward when inserting tool into cannula
- Ensure the jaws are closed when retracting the tool back into the harvesting cannula



Smooth activation toggle and enhanced handle design allow ergonomically natural operation:

- Activate jaws by simply pulling back the toggle until it stops
- Power supply will emit an intermittent tone that indicates activation



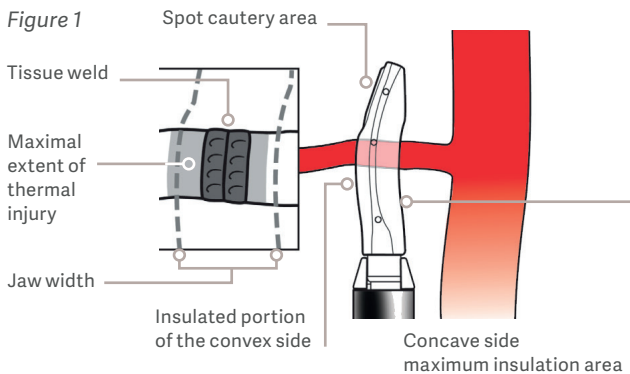
Precision spot cautery at the distal end of jaws supports fast, simple hemostasis:

- Position spot cautery area against bleeding surface and activate the toggle: contact must be made between the spot cautery area and the tissue in order to cauterize
- Always position spot cautery area away from main conduit or sensitive tissue; use this feature for spot cautery purposes only (see Figure 1)



Redesigned jaws provide maximum insulation to protect conduits:

Position concave side of Hemopro 2 jaws toward main conduit to ensure virtually zero thermal spread in the direction of the main conduit during branch transection*



Built-in safety mechanism helps prevent overheating:

A safety shut-down mechanism integrated into the handle will engage in the following situations:

- When jaws are activated frequently or for prolonged periods of time, with very short intervals between activation cycles
- When device is activated for prolonged periods of time (over 14 seconds of continuous activation)

When that happens, the device will temporarily deactivate in order to cool down.

- Cool-down period of **~30 seconds** may be required before proceeding with **long activation intervals such as fasciotomies or large branch transection**
- Cool-down period of **~15 seconds** should be sufficient before proceeding with **typical vessel branch transection or short activation intervals**

Branch division and sealing using the "CLAMP" method

To realize the full benefit from Hemopro 2 technology, be sure to follow the "CLAMP" method to produce proper branch sealing and division.



Clean the jaws

- Tissue build-up may impact visibility
- Jaws should be cleaned with saline-soaked gauze



Locate the vessel in center of jaws

- Keep the tips of jaws toward main conduit
- Keep the spot cautery area of jaws away from main conduit or sensitive tissue



Activation of energy

- For routine branch or tissue division, activate ONLY when material is placed between jaws
- For use of spot cautery feature, activation can be performed without material between jaws. Always ensure cautery area is in contact with tissue intended to be cauterized



Mild tension when cutting and sealing vessel branches

- Slight rotation or retraction of harvesting tool or C-ring should be sufficient



Pull when cutting fascia

- Perform fasciotomy by grasping tissue with jaws and then pulling/rotating tool while activating the device
- Increased tension aids in cutting fascia

* Virtually zero thermal spread outside of concave side of jaws when used per the Instructions for Use.

Getinge is a registered trademark of Getinge AB, its subsidiaries, or affiliates in the United States or other countries • Copyright 2018 Getinge AB or its subsidiaries or affiliates • All rights reserved • CAUTION: Federal (US) law restricts this device to sale by or on the order of a physician. Refer to Instructions for Use for current indications, warnings, contraindications, and precautions. 03/2018

www.getinge.com

GETINGE 

MCV00004544 REV B