



Maquet Lyra Mobile Operating Table

A versatile, multi-disciplinary surgical table



Versatility for your Ambulatory Surgery Center

Cost-effective, reliable,
and user-friendly

Get the stability and functionality you need
across surgical disciplines.

Around the world, the cost of healthcare is skyrocketing. As pressure on your budget is rising, it's increasingly important to invest in reliable, multifunctional infrastructure. That's why Getinge developed the Maquet Lyra Mobile OR Table. Just one table can meet the needs of most surgical disciplines, and is carbon-fiber accessory compatible for excellent intra-operative diagnostics.

Getinge is built on a genuine compassion for people's health, safety, and wellbeing. Founded in 1904 with roots dating back to 1838, Getinge has grown organically through acquisitions to become a global market leader in surgical tables. Our portfolio offers solutions and support throughout the clinical pathway, and features well-known and dependable product brands, including Maquet OR Tables, that have been trusted for 180 years.



MAQUET LYRA MOBILE OPERATING TABLE

Cost-effective

Giving surgeons the options they need

The Maquet Lyra Mobile OR Table is designed to work for almost all surgical disciplines, increasing the options for each OR. Plus, it's compatible with all existing Getinge Mobile OR Table accessories that you may already have, maximizing the return on your investment.



Maximum overall load

The Maquet Lyra Mobile OR Table has a robust design that ensures stability and safety for a broad range of patients. It has a maximum load of 794 lbs. in normal position and 397 lbs. without any restrictions — ideal for most patient populations.



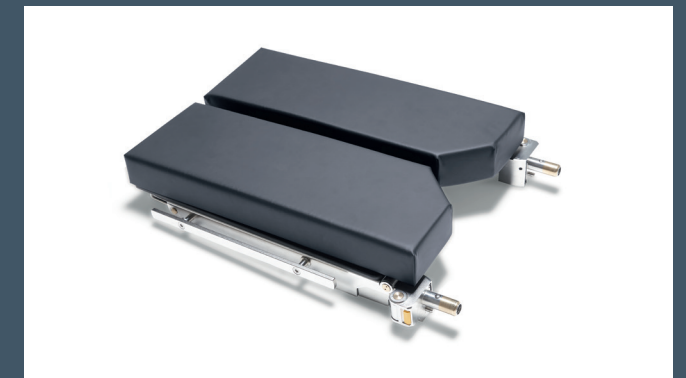
Designed for universal use

A flexible mobile table can serve many purposes. Manual longitudinal shift improves intra-operative diagnostics and treatment. It delivers better access for the surgeon while simultaneously improving accessibility for the C-arm. 360° imaging is possible when paired with carbon fiber accessories.



Versatile angles, tilts, and heights

A 14 inch-height range supports a variety of procedures, whether the surgeon is seated or standing. This improves ergonomics reducing strain and minimizing the risk of workplace injury. A broad range of angles and tilts can be combined to give surgeons the best surgical site access with the least patient trauma. This can improve outcomes and reduce overall recovery time.



Improved throughput between procedures

Gas-spring assisted leg plates can fold around the column, remaining attached during gynecological procedures. This reduces reconfiguration time and helps to increase throughput.

Improving comfort and safety

For staff and patients

The Maquet Lyra Mobile OR Table includes a number of features designed to keep patients and staff safe and comfortable.



Height range from 24 to 37 inches

Good ergonomic conditions are important for keeping staff healthy and happy. Proper ergonomics not only reduces the risk of workplace injury, but also minimizes the fatigue that can lead to clinical errors. Maquet Lyra is capable of a height range of 14 inches to meet ergonomic needs.

Excellent clinical access

A concave base and smart design of the column and table top allow the surgical team to get close to the patient — without positional strain. The team can work comfortably and confidently.

Highly maneuverable

The Maquet Lyra Mobile OR Table is mounted on four double swivel castors for easy maneuverability in straight lines or laterally. This makes the table easy to transport and position.



Emergency fail-safe technology

Even in the unlikely event of a table software blackout, the patient remains secure and the table can be safely controlled. The override panel is hard-wired to a separate circuit, with no software in between.

Fewer electrical components

The Maquet Lyra Table has fewer electrical components, simplifying maintenance for reliable and cost-effective long-term use.

When it comes to safety, there's no room for error. The Maquet Lyra Mobile OR Table has built-in safety features to prevent accident or injury.

Specially designed rechargeable batteries

The rechargeable batteries are long-lasting and reliable. A single charge lasts about one week.

Positioning possibilities

A flexible table can improve functionality and increase the cost-effectiveness of your OR

Maquet Lyra offers several patient positioning possibilities by offering optimal reverse or normal positioning together with a wide range of angles and lateral tilt combinations. This delivers increased access in various surgical positions. The manual longitudinal shift improves intraoperative

diagnostics and treatment. It delivers both increased access for the surgeon, and simultaneously improves accessibility for the C-arm. 360° imaging is possible when paired with carbon fiber accessories.



Struma position



Supine with excellent imaging access



Genucubital position



Shoulder surgery in beach chair position



Spinal surgery in prone position with optimum access for the C-arm



Park bench position



Gynecological and urological surgery



Kidney procedures

Technical description

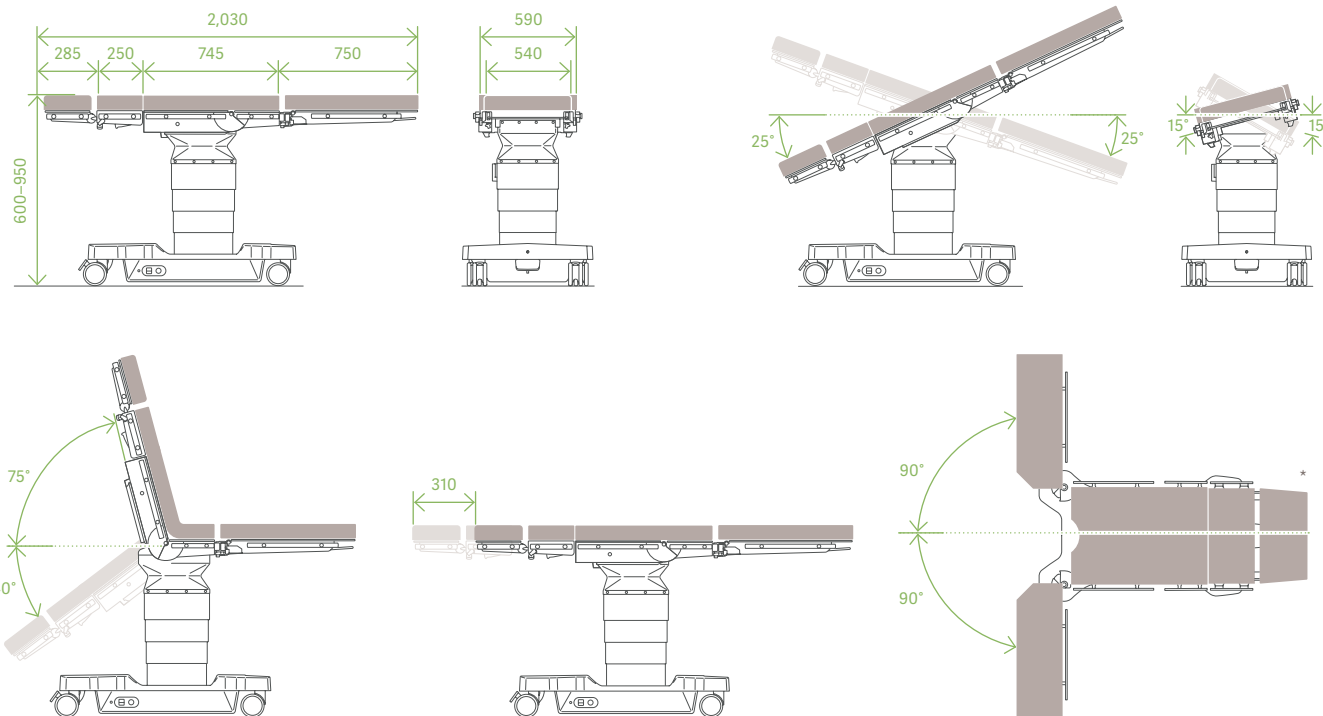
and construction features

General construction features

- Stable base construction with four double swivel castors for easy movement and maneuvering (base can be locked via foot pedal)
- Base cover made of Sheet Molding Composite (SMC)
- The override panel is connected to a separate circuit in order to ensure that the table can be safely controlled even in the unlikely event of a table software blackout
- Identical interfaces on normal and on reverse side

Electrical data

- Specially designed rechargeable batteries, with a single charge lasting about one week in the operating room
- Electronic charge monitoring with visual indicators
- Batteries recharged from the mains supply
- AC 100/110 - 120/127/200/220/230 - 240 V (adjustable), 50/60 Hz, over mains cable
- Safety class II, type B; the enclosure leakage current meets the requirements of the patient leakage current for type B conditions as per EN 60601-1



* Table adjustment possible when paired with leg plate 1118.60X0

Technical data

Maquet Lyra 1118.10XX	
Length of operating table top with standard back plate, head rest, and leg plate	2030 mm / 80"
Length of operating table top without accessories	745 mm / 29"
Width without side rails	540 mm / 21"
Width across side rails	590 mm / 23"
Net weight (without accessories)	190 kg / 419 lbs
Maximum overall load (patient and accessories)	360 kg / 794 lbs with restrictions 180 kg / 397 lbs without restrictions

Adjustment range

Maquet Lyra 1118.10XX	
Height without padding	600–950 mm / 24–37"
Trendelenburg / Reverse Trendelenburg	25° / 25°
Lateral tilt	15°
Lower back plate	+75° / -40°
Leg plate (manual)	-90° (down)*
Manual longitudinal shift	310 mm / 12"
Base brake mechanism (lock / unlock)	

* Table adjustment possible when paired with leg plate 1118.60X0



Getinge is a registered trademark of Getinge AB, its subsidiaries, or affiliates in the United States or other countries. ·
Copyright 2020 Getinge AB or its subsidiaries or affiliates · All rights reserved.

Manufactured by: Maquet (Suzhou) Co., Ltd. · No.158 Fangzhou Road, Suzhou, P.R. China 215024 · +86 (0) 512 62839880

Getinge · 45 Barbour Pond Drive · Wayne, NJ 07470

Sales Office, Canada · 90 Matheson Blvd West, Suite 300 · Mississauga, Ontario L5R 3R3 · Canada

www.getinge.com

MCV00103608 REVA
EXP 05/2022