



# CSD DoseTech

Detergent Management System



# Optimize your chemistry dosing

## In manual sink-cleaning

CSD DoseTech is a dosing system that helps to remove the fluctuation in chemistry doses. You and your team will no longer be dosing too much or too little in manual sink-cleaning applications.

### Simplifying manual sink-cleaning

CSD DoseTech is a simple, easy-to-use dosing system that delivers precise amounts of detergent into the sink, eliminating the variability of bottle mounted pumps. It includes built-in programmable settings, allowing users to set dosing parameters that will meet specific conditions for removing soil at various sink levels for achieving optimum cleaning results.

### Effective detergent dosing

CSD DoseTech allows for improved process control of manual sink-cleaning applications. The dosage system is easy to install and can be wall mounted behind the sink. The unit can also be used to dispense detergent into ultrasonic baths.



# Simple, easy to use

## Dosing system

CSD DoseTech is designed to deliver consistent amounts of chemistry and clearly informs the user with a visual dosing confirmation on the interface.

### Intelligent Flow Metering

A precision flow meter provides optimal dosing accuracy. It ensures consistent amounts of concentrated chemistry are delivered each and every time, and also alerts the operator to out-of-chemistry conditions.

### Performance Validation

CSD DoseTech validates each dose of chemistry with a visual dosing confirmation. This confirmation appears on the display of the system so users know that the correct amount of chemistry has been dosed.

### Soak Timer

Dual soak timers allow users to set a specific amount of time for the medical instruments to soak before the final cleaning and rinsing stage. An alarm sounds alerting the user that the soak is complete.

### Foot Pedal Control (Optional)

The foot pedal control gives the user the ability to control dosing without the need to touch the buttons on the system. This helps to keep the user's hands free so that they can manually clean instruments while dosing.

### Usage Reports

Built-in software logs date, time, chemical usage, temperature, and errors that can be viewed as a report on a computer. These reports can be extracted using the USB and provide managers and regulatory agencies fast and easy insight into the system's activities and performance.

### Temperature Sensing

The system is equipped with a temperature sensor that alerts the user when the cleaning solution is out of range. This allows the user to adjust the cleaning solution temperature before dosing for optimum cleaning results.

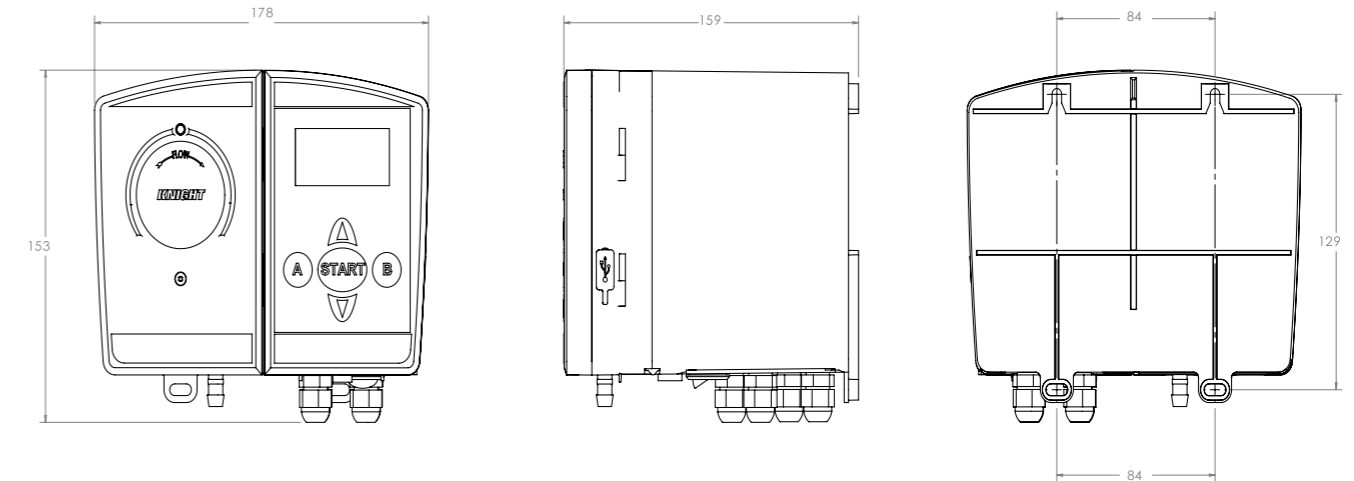
### Remote Control

When a system cannot be mounted directly over the cleaning sink because of the location of the chemistry or other restrictions, the remote control allows the user to control the unit from a distance of up to 3.6 meters away.

### Low Level Sensor (Optional)

The low level sensor system will notify the user when chemistry levels are low, allowing users to change out chemistry before running out. This ensures correct dosing levels and prevents the need to re-prime the unit with chemistry.

# Technical Data



<b>Article No.</b>	6003001000
<b>Size L x W x D</b>	152 x 178 x 159 mm (6 x 7 x 6 1/4 in)
<b>Dosing Pump Flow Rate</b>	250 ml/min
<b>Power Supply/Voltage</b>	Wall Mount Type, IN: 110-240 VAC 1A 50-60 Hz Out: 24 VOC 1.67A
<b>Dosing Pump Flow Rate</b>	250 ml/min
<b>Power Supply/Voltage</b>	Wall Mount Type, IN: 110-240 VAC 1A, 50-60Hz Out: 24 VDC 1.67A
<b>Chemical Compatibility - Dose Pump</b>	Industry standard enzymatic and other detergents
<b>Weight</b>	1.95 kg (4.3 lb)
<b>Temperature Sensor</b>	Max temperature 125°C (257°F)
<b>Case Rating</b>	P-64
<b>Approvals</b>	CAN/CSA C22.2 No. 61010-1, UL61010-1

### Accessories

Article No	Description	Size
6003001000	CSD DoseTech, with Flow Meter, USB Port, Temperature Sensor, and Power Supply Adapters for North America, North Asia, Europe, UK, China, Australia	
6003001012	Foot Pedal Control Unit	
6003001013	Low Level Sensor	280 mm (11 Inches)
6003001014	Low Level Sensor	355 mm (14 Inches)



# Getinge Clean

## Manual cleaning detergent range

### Getinge Clean Enzymatic Plus

Getinge Clean Enzymatic Plus has a powerful formulation designed to operate effectively in manual, ultrasonic and washer-disinfector applications. With four enzyme types and a balanced surfactant package the product easily removes soil from instruments and devices and exhibits biofilm removal properties. It has wide materials compatibility with metals, plastics and elastomers. Available in 5 L, 2x5 L with 2 dosing pumps, 25 L and 205 L containers.

- Easily removes soil from instruments and devices
- Wide material compatibility with metals, plastics and elastomers
- Designed for use in manual, ultrasonic and washer-disinfector applications
- Enhanced foam control



### Getinge Clean Enzymatic Detergent

Getinge Clean Enzymatic detergent is a mild, near-neutral pH cleaner. It combines the power of multi-enzymatic cleaning technology with the advantage of machine spray washing, formulated to remove protein matter from instruments and medical devices. In addition for usage with automated washers, it is suitable for use in sinks and ultrasonic baths. Available in 5, 25 and 205 L containers.

- Penetrates and breaks down protein and organic matter
- pH neutral
- Suitable for all types of washer-disinfectors and manual cleaning
- Suitable for most types of materials
- Effective in hard and soft water



### Getinge Clean Universal Detergent

Getinge Clean Universal Detergent is a mild alkaline-based cleaner with surfactants. It's a low foaming, non-abrasive, instrument cleaning product that rapidly removes, dissolves and disperses all types of soil as well as water scale and oxide stains. Available in 5, 10, 25 and 205 L containers.

- Excellent cleaning performance
- Recommended when a department wants to reduce the number of detergents
- Material compatibility has to be checked with the device or instrument manufacturers IFU
- Neutralization is not required



# Getinge Consumables

## Safeguarding your instrument reprocessing – Circle for Life

### Getinge Clean Chemistries

#### Effective cleaning is a multi-step process

Our Getinge Clean Chemistries have provided maximum performance along with efficient and economical throughput for many years.

The comprehensive range of instrument cleaning detergents and maintenance products include state-of-the-art formulations to handle the most challenging of instrument cleaning obstacles.

With our central dosing system, the Getinge Clean Management System (CMS), you can be certain that you're using the correct level of detergent in your washer-disinfectors, ultrasonic cleaners, and manual cleaning stations.



### Getinge Assured Indicators



#### Ensuring accurate and consistent results

Routine use of Getinge Assured Wash Monitoring products provides you with independent verification that the cleaning process is effective and consistent.

We offer a wide range of residual protein tests for surfaces and instruments – including hollow lumens and scopes.



With a firm belief that every person and community should have access to the best possible care, Getinge provides hospitals and life science institutions with products and solutions aiming to improve clinical results and optimize workflows. The offering includes products and solutions for intensive care, cardiovascular procedures, operating rooms, sterile reprocessing and life science. Getinge employs over 10,000 people worldwide and the products are sold in more than 135 countries.

This document is intended to provide information to an international audience outside of the US.

**Getinge Infection Control AB** • PO Box 69 • SE-305 05 Getinge • Sweden • +46 10 335 00 00 • [info@getinge.com](mailto:info@getinge.com)

[www.getinge.com](http://www.getinge.com)